

M1-ABS/R

Bourdon tube pressure gauges

Technical Data Sheet



Description

Dry plastic case bottom entry red adjustable pointer on window. For heating industry, gases and liquids not viscous, not aggressive and not crystallising.



M1-ABS 40/R

DN40 pressure gauges.

Part No	Pressure Range	Connection	Options*	Box/Master	Min. order
	0-2.5 bar	G1/8B		240/240	240
	0-4 bar	G1/8B		240/240	240
	0-6 bar	G1/8B		240/240	240
PA1210BA00	0-10 bar	G1/8B	R	240/240	240
	0-16 bar	G1/8B		240/240	240
	0-25 bar	G1/8B		240/240	240
	0-40 bar	G1/8B		240/240	240
	0-60 bar	G1/4B		100/100	100
	0-100 bar	G1/4B		100/100	100
	0-160 bar	G1/4B		100/100	100
	0-250 bar	G1/4B		100/100	100
	0-315 bar	G1/4B		100/100	100
	0-400 bar	G1/4B		100/100	100



M1-ABS 50/R

DN50 pressure gauges.

Part No	Pressure Range	Connection	Options*	Box/Master	Min. order
	-1/0 bar	G1/4B		100/100	100
	0-1 bar	G1/4B		100/100	100
	0-1.6 bar	G1/4B		100/100	100
	0-2.5 bar	G1/4B		100/100	100
PA2204BB10	0-4 bar	G1/4B	R+LF	100/100	10
PA2206BB13	0-6 bar	G1/4B	R+LF	100/100	10
PA2210BB12	0-10 bar	G1/4B	R+LF	100/100	10
PA2216BB09	0-16 bar	G1/4B	R+LF	100/100	10
PA2225BB04	0-25 bar	G1/4B	R+LF	100/100	100
PA2240BB00	0-40 bar	G1/4B	R	100/100	100
	0-60 bar	G1/4B		100/100	100
	0-100 bar	G1/4B		100/100	100
	0-160 bar	G1/4B		100/100	100
	0-250 bar	G1/4B		100/100	100
	0-315 bar	G1/4B		100/100	100
	0-400 bar	G1/4B		100/100	100



M1-ABS 63/R

DN63 pressure gauges.

Part No	Pressure Range	Connection	Options*	Box/Master	Min. order
PA3101BB00	-1/0 bar	G1/4B	R	100/100	100
PA3101BB02	0-1 bar	G1/4B	LF+R+QISP	100/100	100
PA3102BB01	0-1.6 bar	G1/4B	LF+R+QISP	100/100	100
PA3203BB02	0-2.5 bar	G1/4B	LF+R+QISP	100/100	100
PA3204BB12	0-4 bar	G1/4B	LF+R+QISP	100/100	10
PA3206BB13	0-6 bar	G1/4B	LF+R+QISP	100/100	10
PA3210BB15	0-10 bar	G1/4B	LF+R+QISP	100/100	10
PA3216BB12	0-16 bar	G1/4B	LF+R+QISP	100/100	10
PA3225BB01	0-25 bar	G1/4B	LF+R	100/100	10
PA3240BB00	0-40 bar	G1/4B	LF+R	100/100	100
	0-60 bar	G1/4B		100/100	100
	0-100 bar	G1/4B		100/100	100
	0-160 bar	G1/4B		100/100	100
	0-250 bar	G1/4B		100/100	100
	0-315 bar	G1/4B		100/100	100
	0-400 bar	G1/4B		100/100	100



M1-ABS 80/R

DN80 pressure gauges.

Part No	Pressure Range	Connection	Options*	Box/Master	Min. order
	-1/0 bar	G3/8B		1/50	50
PA4101BC01	0-1 bar	G3/8B	R+QISP+LF	1/50	50
PA4102BC01	0-1.6 bar	G3/8B	R+QISP+LF	1/50	50
PA4203BC01	0-2.5 bar	G3/8B	R+QISP+LF	1/50	1
PA4204BC05	0-4 bar	G3/8B	R+QISP+LF	1/50	1
PA4206BC07	0-6 bar	G3/8B	R+QISP+LF	1/50	1
PA4210BC05	0-10 bar	G3/8B	R+QISP+LF	1/50	1
PA4216BC02	0-16 bar	G3/8B	R+QISP+LF	1/50	1
PA4225BC01	0-25 bar	G3/8B	R+LF	1/50	1
PA4240BC01	0-40 bar	G3/8B	R+LF	1/50	50
PA4101WC02	0-10 mH ₂ O	G3/8B	R+QISP+LF	1/50	1
PA4102WC02	0-16 mH ₂ O	G3/8B	R+QISP+LF	1/50	1
PA4203WC02	0-25 mH ₂ O	G3/8B	R+QISP+LF	1/50	50
PA4204WC01	0-40 mH ₂ O	G3/8B	R+QISP+LF	1/50	1
PA4206WC01	0-60 mH ₂ O	G3/8B	R+QISP+LF	1/50	1
	0-60 bar	G3/8B		1/50	50
	0-100 bar	G3/8B		1/50	50
	0-160 bar	G3/8B		1/50	50
	0-250 bar	G3/8B		1/50	50
	0-315 bar	G3/8B		1/50	50
	0-400 bar	G3/8B		1/50	50
PA4204BD03	0-4 bar	G1/2B	R+LF	1/50	50
PA4206BD04	0-6 bar	G1/2B	R+LF	1/50	1
PA4210BD03	0-10 bar	G1/2B	R+L	1/50	1
PA4216BD04	0-16 bar	G1/2B	R+LF	1/50	50
PA4225BD02	0-25 bar	G1/2B	R	1/50	50



M1-ABS 100/R

DN100 pressure gauges.

Part No	Pressure Range	Connection	Options*	Box/Master	Min.order
	-1/0 bar	G1/2B		1/30	30
PA5101BD02	0-1 bar	G1/2B	R+LF	1/30	30
PA5102BD01	0-1.6 bar	G1/2B	R+LF	1/30	30
PA5203BD01	0-2.5 bar	G1/2B	R+LF	1/30	30
PA5204BD01	0-4 bar	G1/2B	R+LF	1/30	1
PA5206BD03	0-6 bar	G1/2B	R+LF	1/30	1
PA5210BD02	0-10 bar	G1/2B	R+LF	1/30	1
PA5216BD03	0-16 bar	G1/2B	R+LF	1/30	1
PA5225BD02	0-25 bar	G1/2B	R+LF	1/30	30
PA5240BD01	0-40 bar	G1/2B	R+LF	1/30	30
	0-60 bar	G1/2B		1/30	30
	0-100 bar	G1/2B		1/30	30
	0-160 bar	G1/2B		1/30	30
	0-250 bar	G1/2B		1/30	30
	0-315 bar	G1/2B		1/30	30
	0-400 bar	G1/2B		1/30	30

*Options included

R = Red pointer on window
 LF = Fimet Watts logo on the dial
 QISP = Dial according to INAIL standards

Customization per minimum order quantity

Customizations	Model
V - Adjustable red mark pointer with green sector	M1-ABS 50/63/80/100/R
AT - PTFE sealing ring on parallel threads only	M1-ABS 40/50/63/80/100/R
T2 - -40°C/+90°C - Aluminium dial + aluminium pointer, (QA+I) Cl.2.5	M1-ABS 40/50/63/80/100/R
Z - Restrictor hole 0.5 mm	M1-ABS 40/50/63/80/100/R
Z3 - Restrictor hole 0.35 mm	M1-ABS 40/50/63/80/100/R
MS - Silicone movement for dampened pointer travel	M1-ABS 40/50/63/80/100/R
Customized dials, other scale ranges or connections on request	M1-ABS 40/50/63/80/100/R



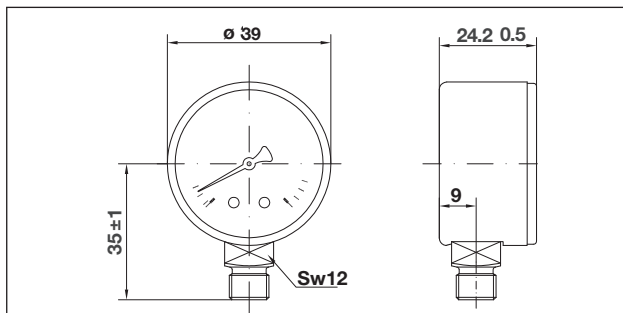
Features

Materials	
Case	Black plastic
Window	Clear plastic
Dial	White plastic
Pointer	Black plastic - red plastic
Pressure connection	Cu-alloy, 12 mm flats (DN 40) - 14 mm (\geq DN 50) flats
Pressure element	Bourdon tube Cu-alloy, soft soldered \leq 60 bar C-type, $>$ 60 bar helical type Sn-Ag soldered
Movement	Cu-alloy

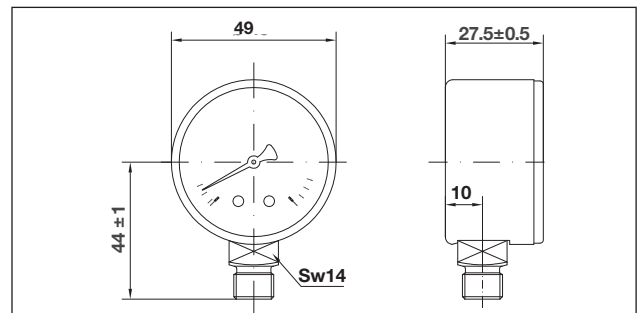
Technical features	
Design	EN 837-1
Working pressure	Steady: 75 % of full scale value Fluctuating: 60 % of full scale value Short time: full scale value
Temperature limits	Ambient: -40 ... +60 °C Medium: +60 °C maximum Storage: -40 ... +60 °C
Temperature effect	Deviation from reference temperature (+20°C): $\pm 0,04\%/1K$ of the span
Accuracy class	cl 1.6
Degree of protection	IP 31 per EN 60 529 / IEC 529
Individual weight:	
M1-ABS 40/R	0.042 kg
M1-ABS 50/R	0.073 kg
M1-ABS 63/R	0.069 kg
M1-ABS 80/R	0.128 kg
M1-ABS 100/R	0.175 kg

Overall dimensions (mm)

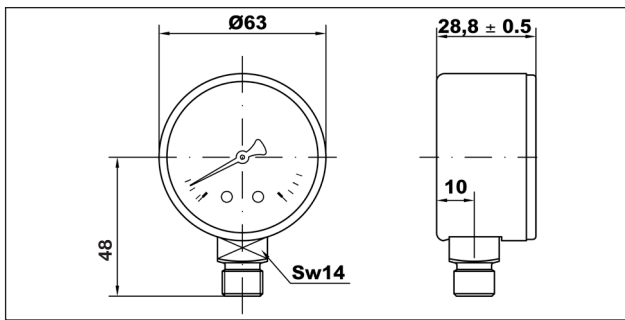
M1-ABS 40/R



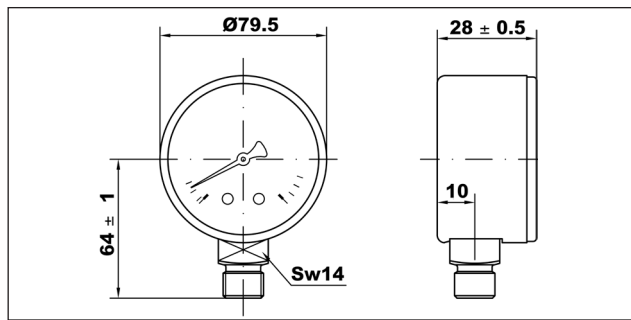
M1-ABS 50/R



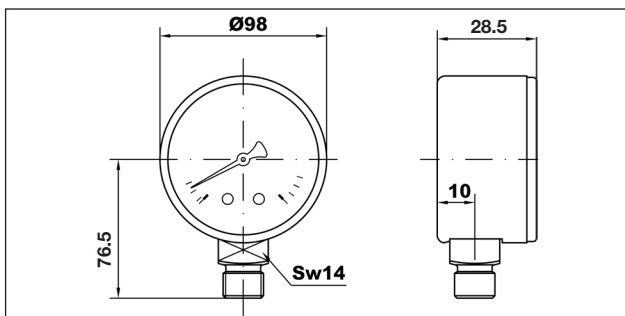
M1-ABS 63/R



M1-ABS 80/R



M1-ABS 100/R



Specification text

Bourdon tube pressure gauges, **M1-ABS/R Series**, WATTS brand, for heating industry, gases and liquids not viscous, not aggressive and not crystallising. **Dry plastic case** DN 40-50-63-80-100 mm **bottom entry red adjustable pointer on window**. Vacuum measures range -1/0 at high pressure up to 400 bar. Temperature limits + 60°C, Accuracy class 1.6.

Compliant with EN 837-1.

The descriptions and photographs contained in this product specification sheet are supplied by way of information only and are not binding.

Watts Industries reserves the right to carry out any technical and design improvements to its products without prior notice. Warranty: All sales and contracts for sale are expressly conditioned on the buyer's assent to Watts terms and conditions found on its website at www.wattsindustries.com. Watts hereby objects to any term, different from or additional to

Watts terms, contained in any buyer communication in any form, unless agreed to in a writing signed by an officer of Watts.

WATTS®

Watts Industries Italia S.r.l.

Via Brenno, 21 • 20853 Biassono (MB) • Italy

Tel. +39 039 4986.1 • Fax +39 039 4986.222

infowattsitatia@wattswater.com • www.wattsindustries.com